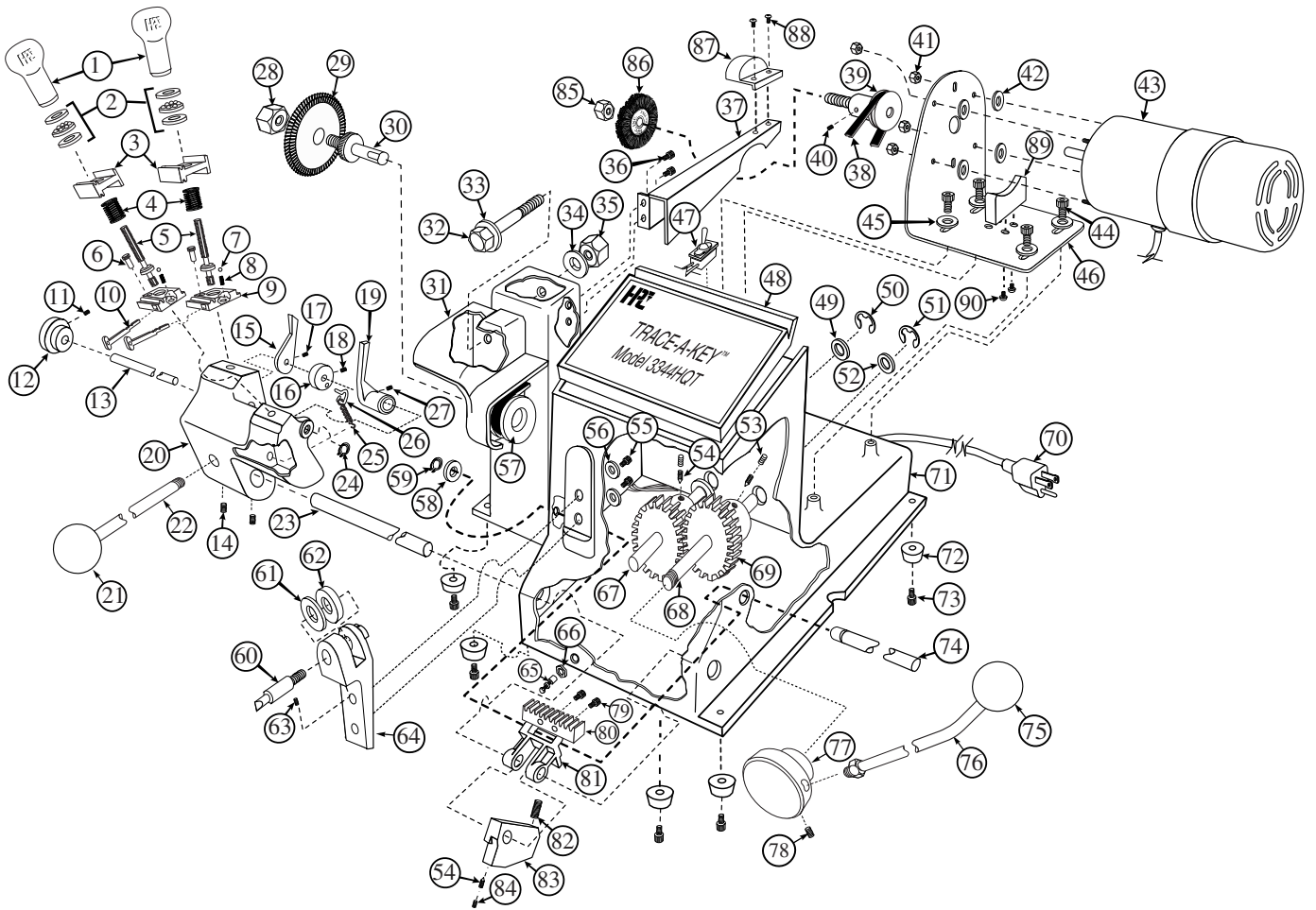


3344HQT PARTS LIST

#	<u>DESCRIPTION</u>	<u>STOCK #</u>		
1.	Wing Nut	SNK-3	21.	Ball Knob
2.	Ball Bearing Washers	BBW-2	22.	Pivot Arm Handle
3.	Top Jaw-Key Vise	CM-1056MA	23.	Pivot Arm Shaft
4.	Spring	CM-1293MA	24.	Retaining Ring
5.	Key Vise Stud	CM-1019MA	25.	Extension Spring
6.	Set Screw	CM-50110	26.	Spring Hook
7.	Ball Bearing	CM-50108	27.	Set Screw
8.	Spring	CM-1090MA	28.	Cutter Nut
9.	Bottom Jaw (factory installation recommended)	CM-1055MA	29.	Cutter
10.	Red Tip Stop	CM-1054MA	30.	Pulley Cutter Head
11.	Set Screw	CM-50139	31.	Cutter Head
12.	Knob-Knurled	CM-1256	32.	Cutter Head Bolt
13.	Key Gauge Shaft	CM-1269-1	33.	Washer
14.	Set Screw	CM-50139	34.	Washer
15.	Key Positioner (right side)	CM-1261-1	35.	Hex Nut
16.	Cam	CM-1277	36.	Cap Screw
17.	Set Screw	CM-50139	37.	Belt Guard
18.	Set Screw	CM-50139	38.	Belt
19.	Key Positioner (left side)	CM-1260-1	39.	Motor Pulley
20.	Carriage Arm Casting only	CM-1251F2	40.	Set Screw
				CM-1285M
				CM-1283
				CM-1267MAO
				TRU-1
				CM-1263MAO
				CM-1252MAO
				CM-50139
				CM-1039MA
				CW-42HQT
				CM-1059
				CM-1053X
				N/A
				CM-50100
				CM-50100
				CM-50157
				CM-50158
				CM-1014MA
				CM-1083MA
				CM-1060B
				9100-11
41.	Hex Nut	CM-50148	66.	Hex Nut
42.	Washer	CM-50149	67.	Idler Shaft
43.	AC Motor 120V	CM-1080MA	68.	Drive Shaft
	AC Motor 240V	CM-1070	69.	Gear
44.	Cap Screw	CM-50167	70.	Power Cord
45.	Washer	CM-50167-1	71.	Main Housing
46.	Motor Bracket	CM-104MA	72.	Rubber Foot
47.	AC Switch	CM-1099MA	73.	Cap Screw
48.	Nameplate	N/A	74.	Lateral Shaft
49.	Teflon Washer	CM-1297MAO	75.	Ball Knob
50.	Retaining Ring	CM-50114	76.	Lever Handle Shaft & Hex Nut
51.	Retaining Ring	CM-50126	77.	Lever Hub
52.	Teflon Washer	CM-1297MAO	78.	Set Screw
53.	Set Screw	9100-11	79.	Cap Screw
54.	Set Screw	CM-50185	80.	Rack
55.	Cap Screw	9100-28	81.	Rack Bracket
56.	Washer	CM-50130	82.	Spring
57.	Pulley Cutter Head	CM-1059	83.	Locator Block
58.	Washer	CM-50100	84.	Set Screw
59.	Snap Ring	CM-50117	85.	Brush Nut
60.	Tracer	CM-1371	86.	Brush
61.	Spring Washer	CM-1286	87.	Brush Guard
62.	Depth Adjustment Knob	CM-1275-1	88.	Screw
63.	Set Screw	CM-1390	89.	Motor Support
64.	Tracer Block	CM-1253MAO	90.	Motor Support Screws (2)
65.	Set Screw	CM-50104		
				CM-50175
				CM-1264MAO
				CM-1265MAO
				CM-1273
				CM-1294MAO
				N/A
				CM-50133MA
				CM-50134
				CM-1274MAO
				CM-1285M
				CM-1268M
				CM-1270M
				9100-11
				CM-50170
				CM-1272F4
				CM-1254
				CM-1289
				CM-1266-1
				9100-11
				9150-29
				TYX-3
				CM-1096B
				CM-50154
				CM-50186
				CM-50188



3344HQT



100203

